



FIRE-RESISTANT GLAZED JOINERY SYSTEM:

CLASSIC LINE

ALUFIRE

FIRE-RESISTANT ALUMINIUM
JOINERY GLAZING SYSTEMS

CATALOGUE CARD
VERSION / INT0724



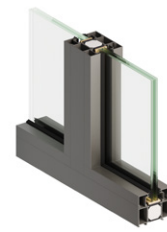
FIRE - RESISTANT
SYSTEMS:

EI15 - EI120



ALUFIRE FIRE-RESISTANT ALUMINIUM
GLAZED JOINERY SYSTEM:

CLASSIC LINE



ADVANTAGES

- Allows light to flow naturally through buildings.
- Certified as E, EW, EI.
- High-precision manufacturing methods, ensuring reliability.
- 100% compatibility with all Alufire systems.

TECHNICAL HIGHLIGHTS

- EI15, EI30, EI45, EI60, EI90, EI120
- Visible profile height: 69 mm
- Noise reduction: up to 44 dB
- Max height: EI15-EI60, EI120: 4200 mm, EI90: 3524 mm

TECHNICAL SPECIFICATIONS

ALUFIRE CLASSIC LINE

FIRE-RESISTANCE CLASSES	EI15, EI30, EI45, EI60, EI90, EI120
NOISE INSULATION EI15-EI60	R_w up to 44 dB
CATEGORY OF USE	IV
MAX HEIGHT	EI15-EI60, EI120: 4200 mm EI90: 3524 mm
MAX WIDTH OF A SINGLE GLASS PANE	<p>EI15-EI30: Placed vertically: 1546 x 3000 mm (max area 4,24 m²) Placed horizontally: 2720 x 1015 mm</p> <p>EI45-EI60: Placed vertically: 1500 x 2500 mm or 1200 x 3000 mm Placed horizontally: 2500 x 1300 mm</p> <p>EI90: Placed vertically: 1430 x 2530 mm (max area 3,28 m²) Placed horizontally: 2420 x 825 mm (max area 1,81 m²)</p> <p>EI120: Placed vertically: 1546 x 2662 mm (max area 3,81 m²) Placed horizontally: 2620 x 1396 mm (max area 3,54 m²)</p>
MAX PARTITION LENGTH	∞ (using an expansion joint every 8000 mm)
FINISHING	Various finishing options available: 1. Color palettes such as RAL, NCS, DB, IGP 2. Anodization 3. Wood imitation
CORROSION RESISTANCE	Class C4 (optionally)
PANEL VERSION	YES
TEST METHOD	European standard: EN 1364-1

GLASS MANUFACTURED BY



SPOTLIGHT FEATURES



1

COMPATIBILITY

Alufire Classic Line alongside Classic Line Doors, create a combined aluminium profile of only 16,5 cm due to the full compatibility of all our systems.



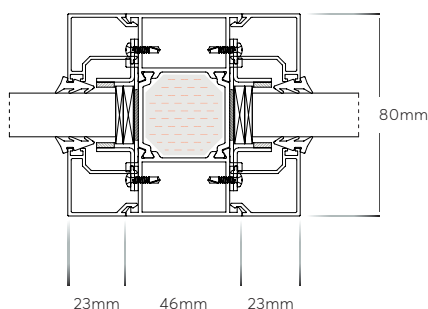
2

USE CATEGORY IV

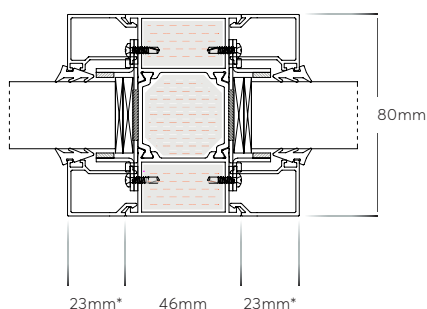
The system can withstand up to ~1000 N/m of force. This makes it perfect for places with a very high flow of people such as airports and office buildings.

ALUFIRE PROFILE SYSTEM - CROSS-SECTIONS

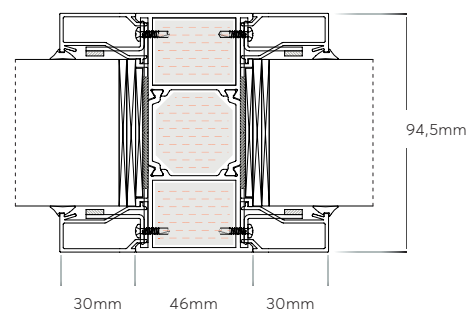
EI15 - EI30



EI45 - EI90



EI120



* Glazing bead for EI90: 30mm

ALUFIRE

**fire - resistant aluminium joinery
glazing systems**

